

SINGER
138W103

Form 3045w
(951)
Printed in U.S.A.

FORM 3045w
(951)

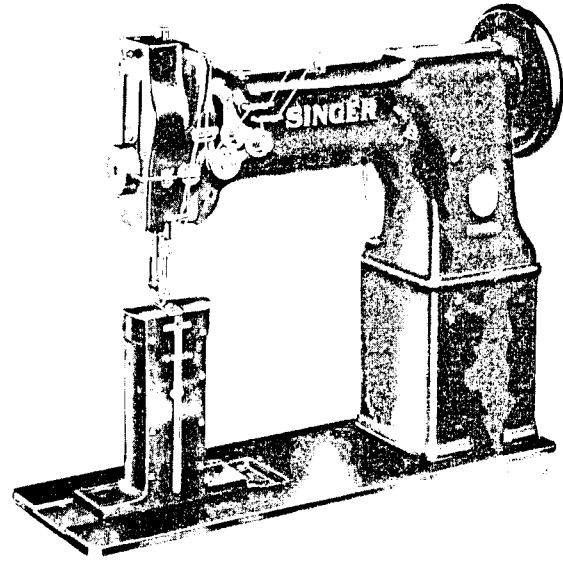
SINGER**

138w103

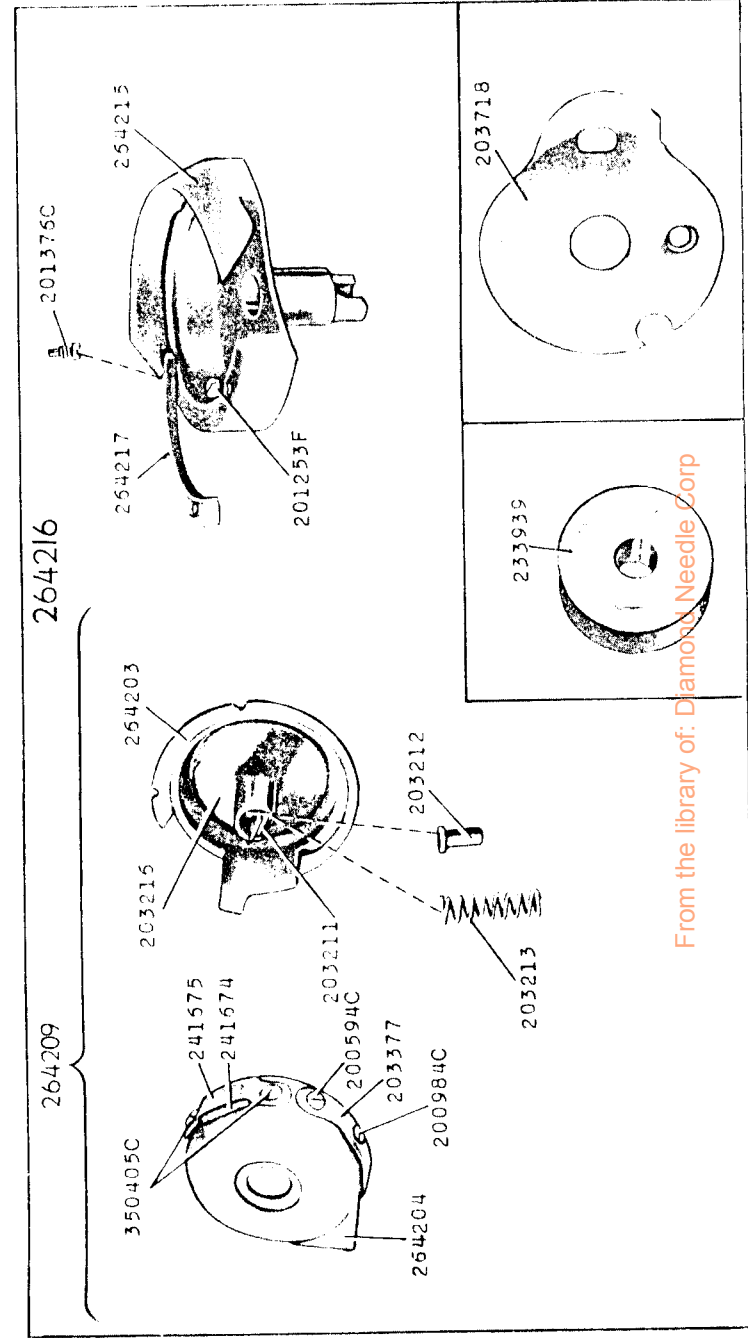


** A TRADE MARK OF
THE SINGER MANUFACTURING COMPANY

From the library of: Diamond Needle Corp

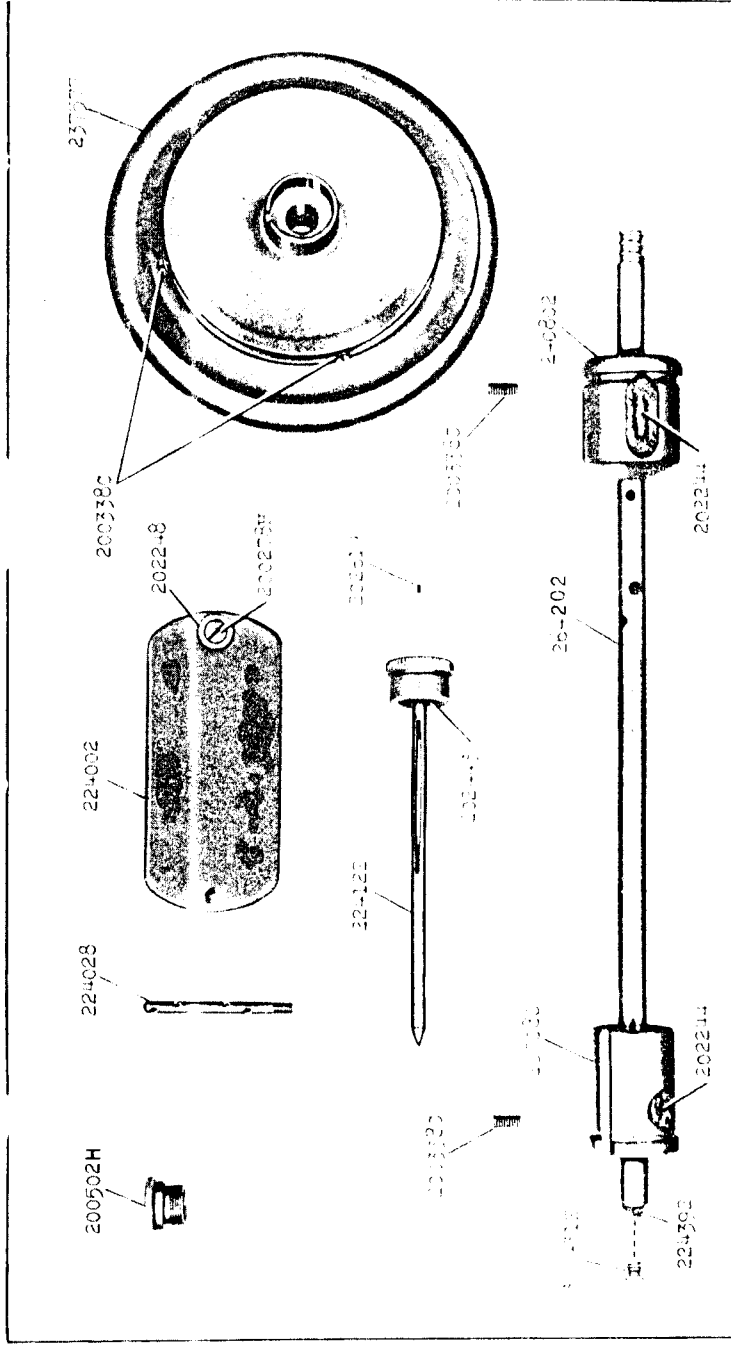


Copyright, U. S. A., 1939, 1940, 1941, 1951 and 1952
 by The Singer Manufacturing Company
 All Rights Reserved for All Countries

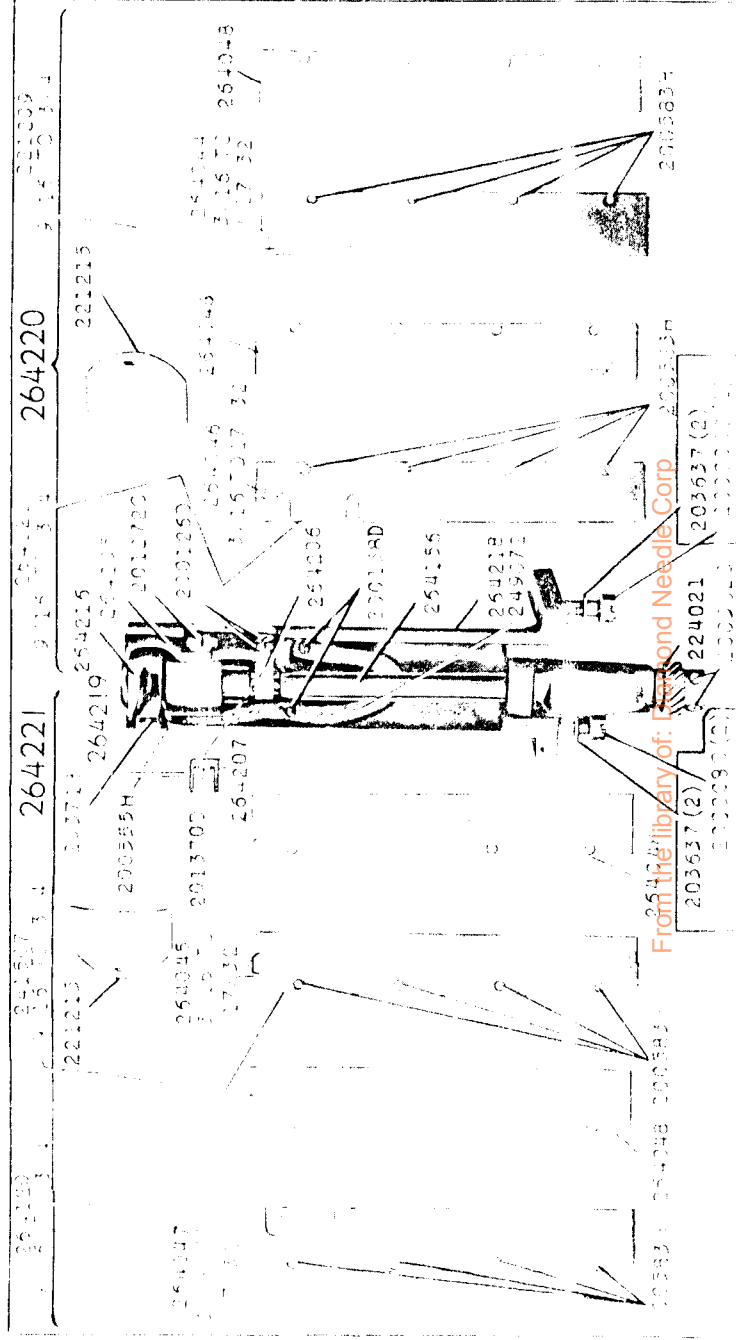


From the library of: Diamond Needle Corp

15790-1/3



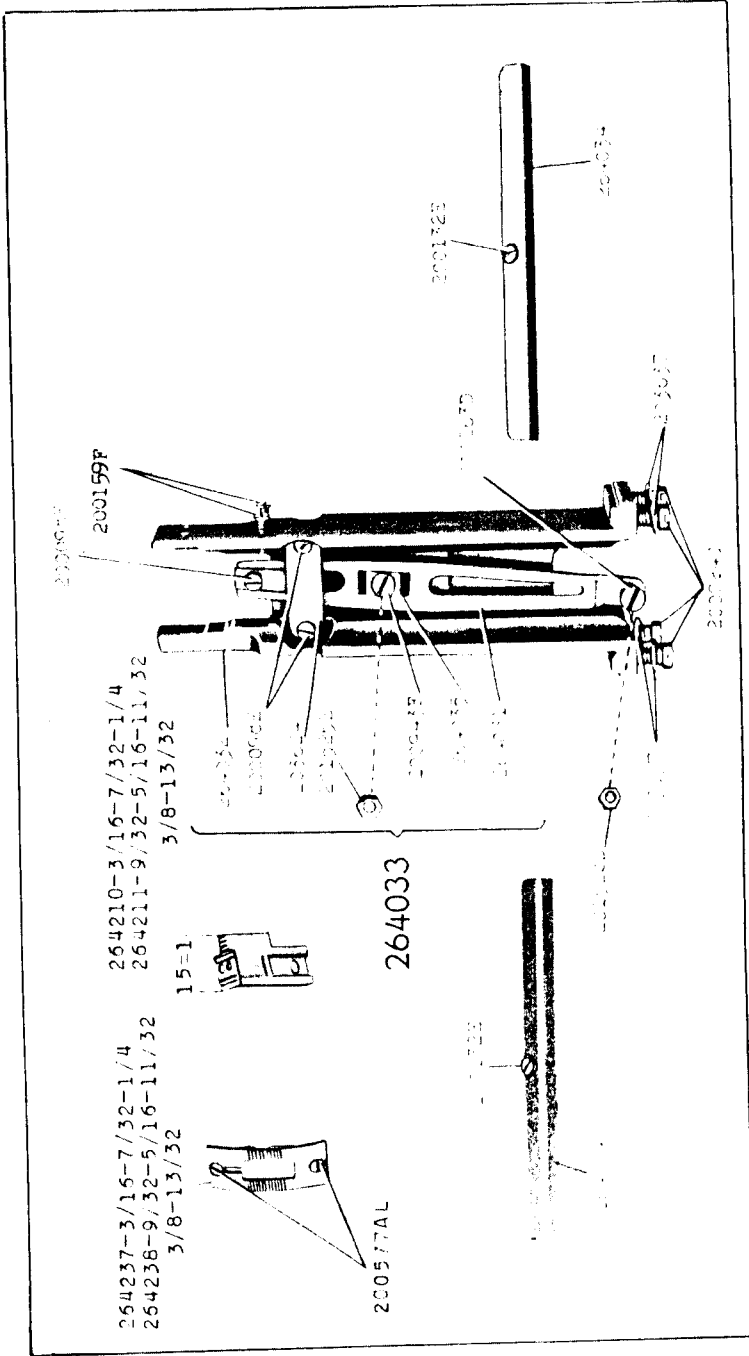
15792-1/3



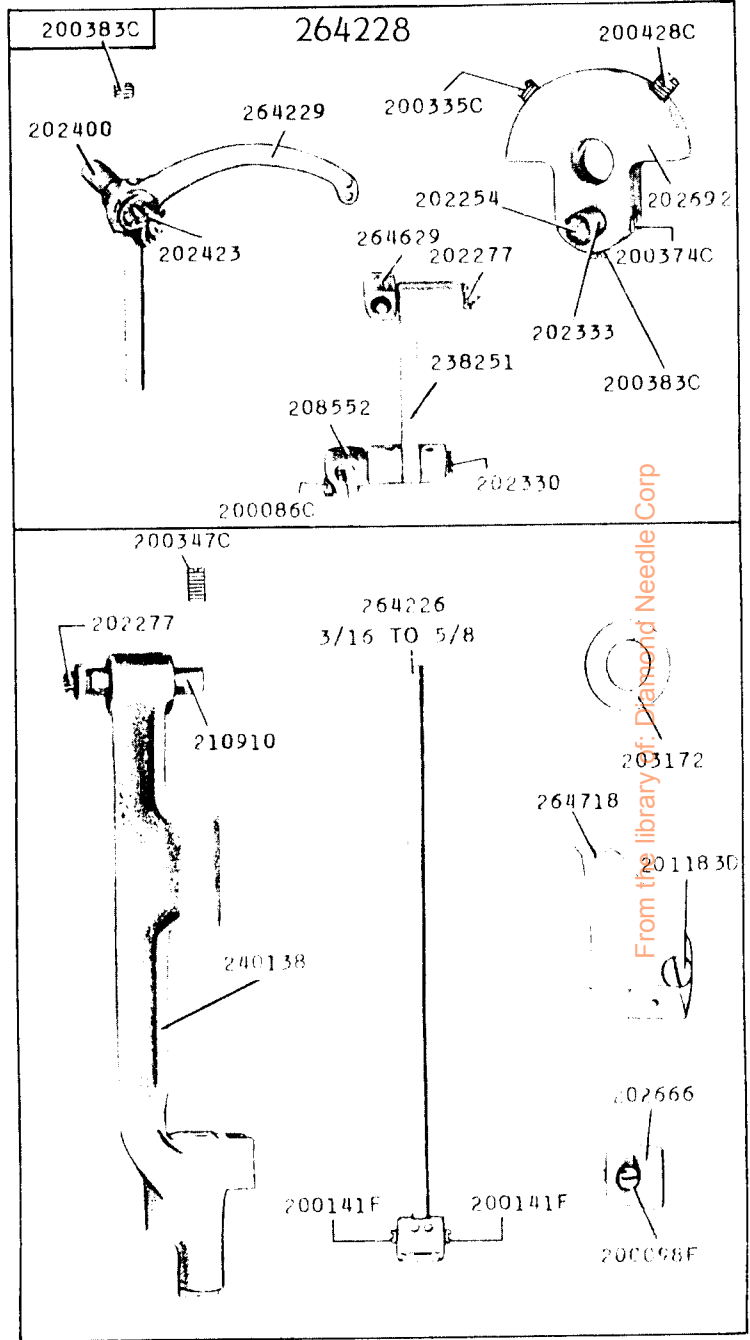
From the library of: **Sears and Roebuck**

203637 (2) 203637 (2) 203637 (2)

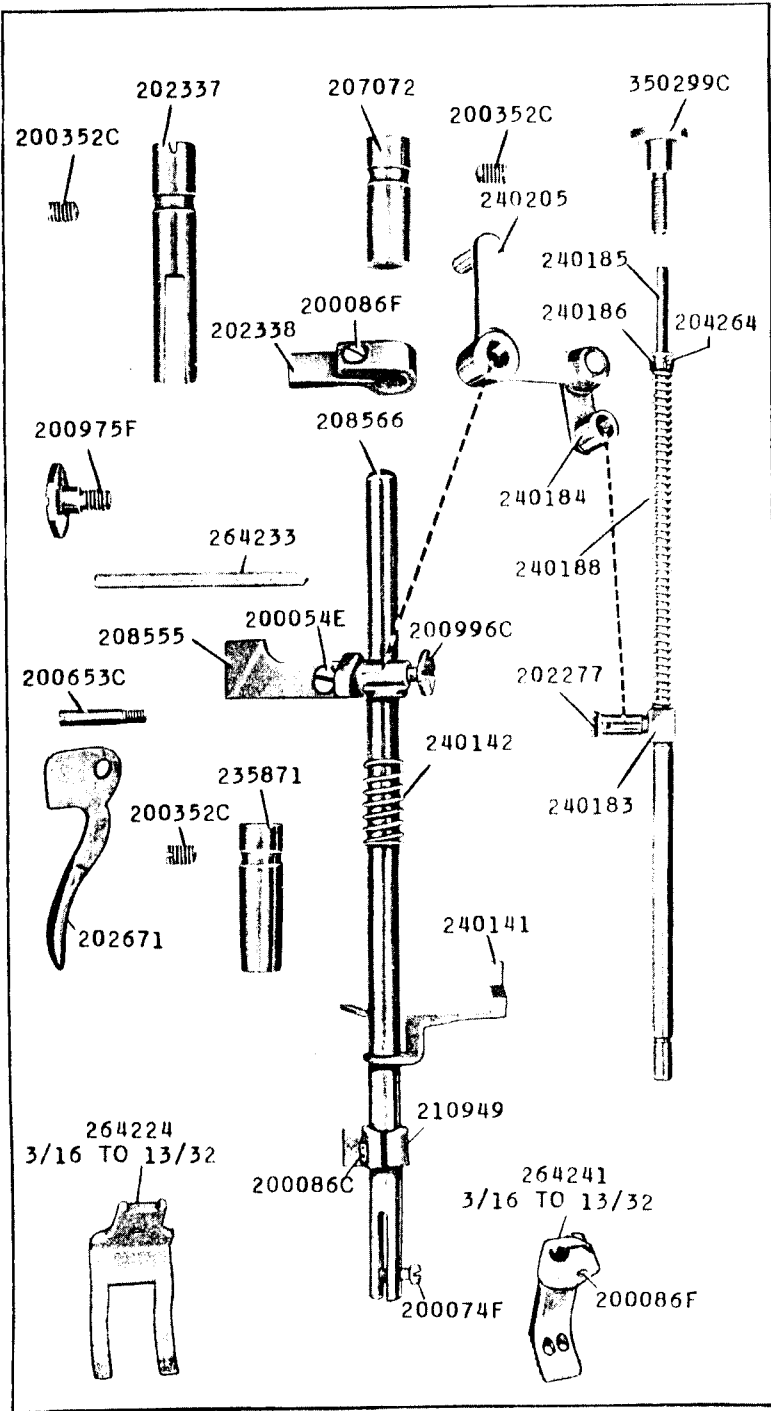
15793-3/8



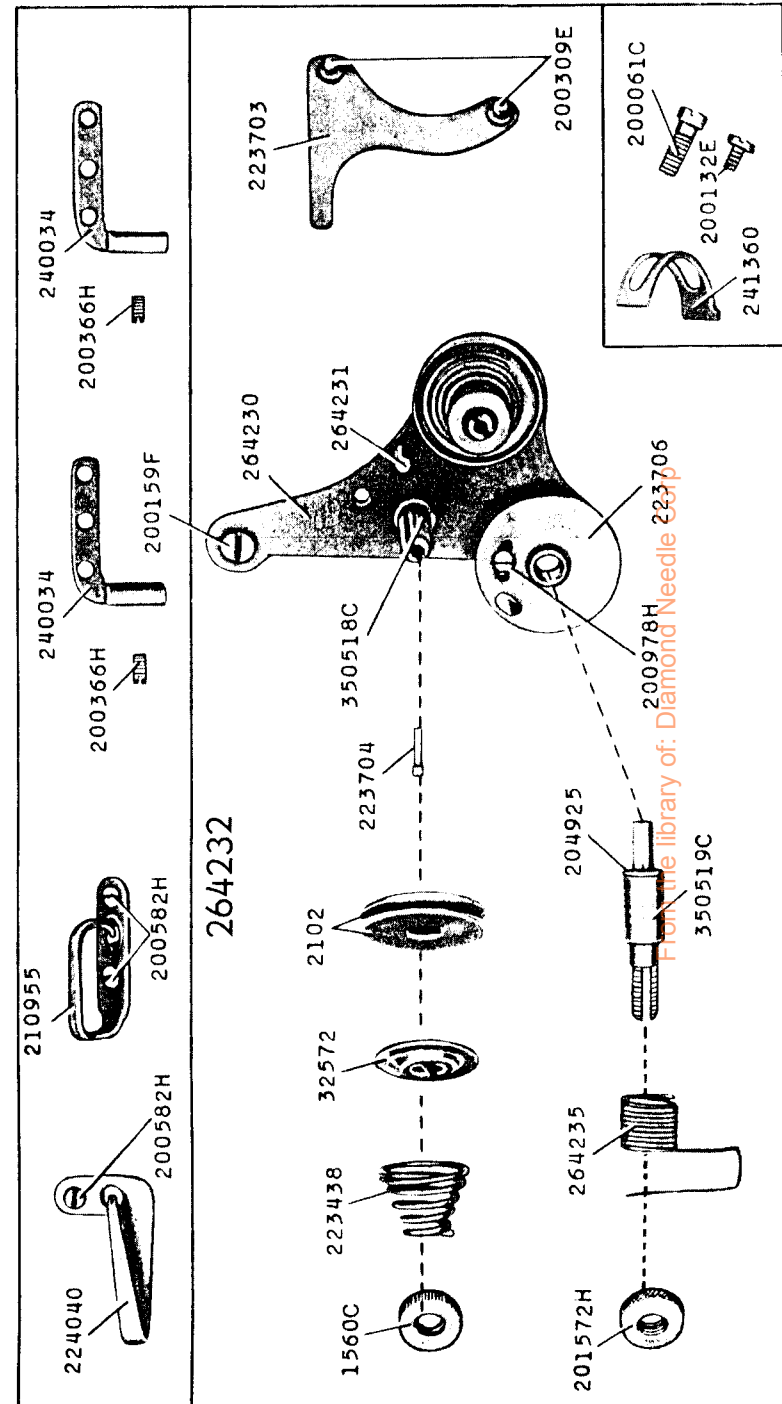
15794-1/2



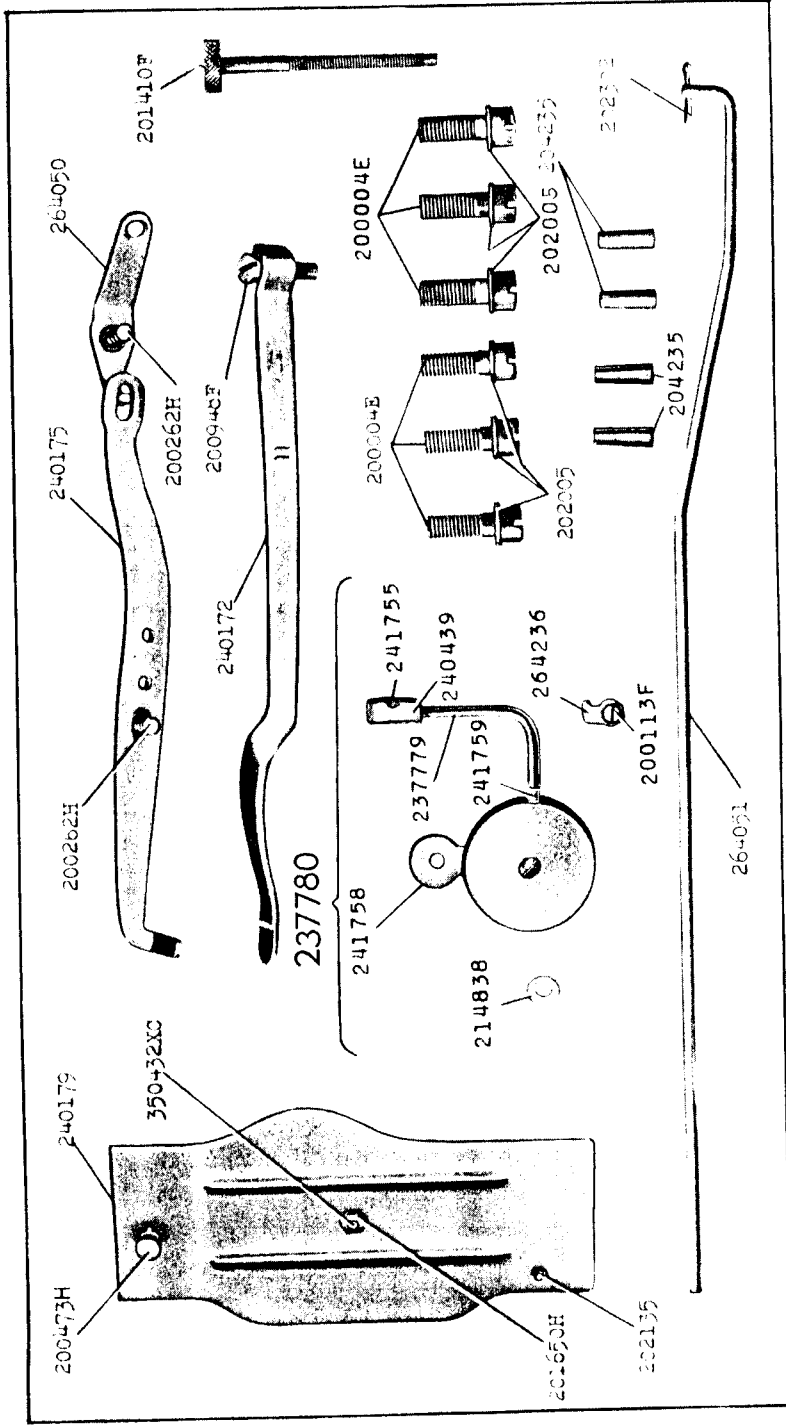
15795-1/2



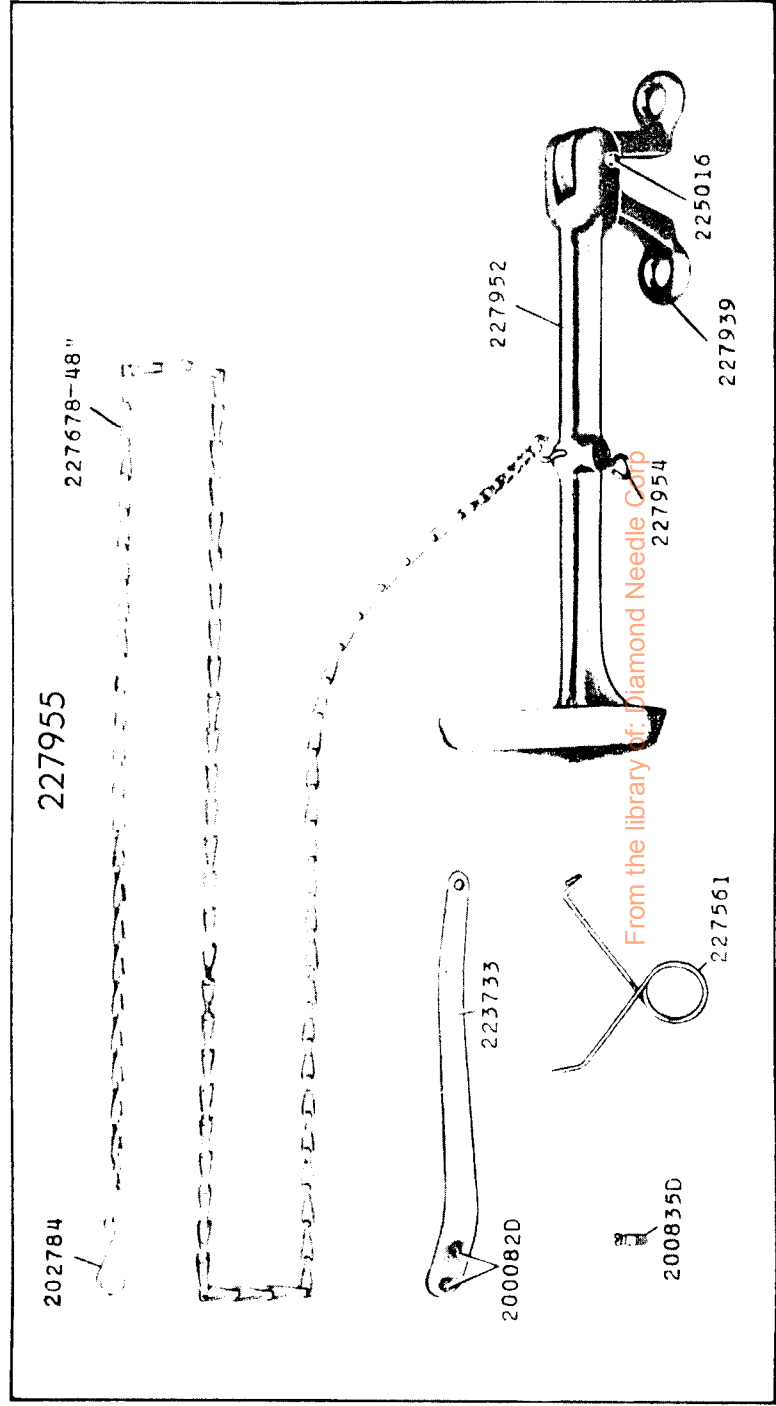
15796-2/3



15797-3/8

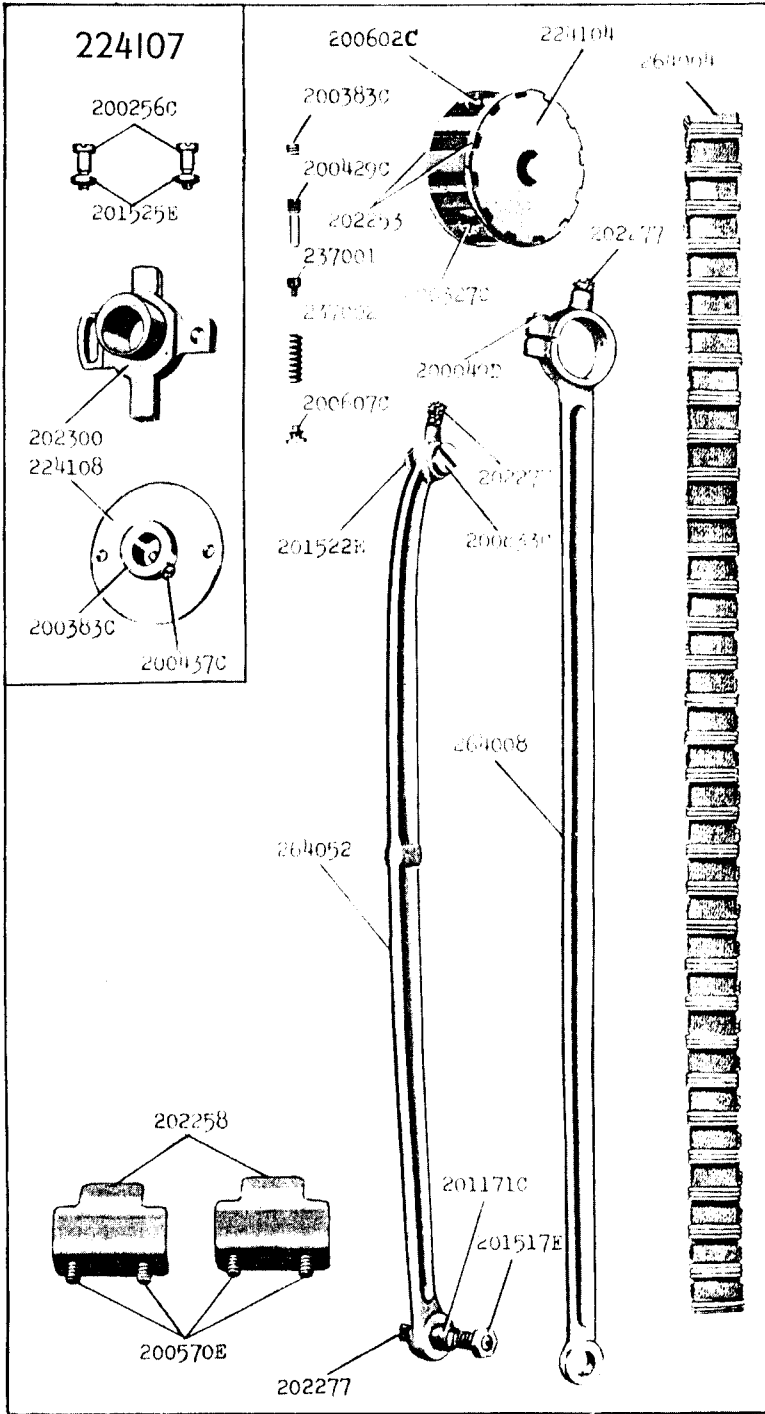


15798-1/3

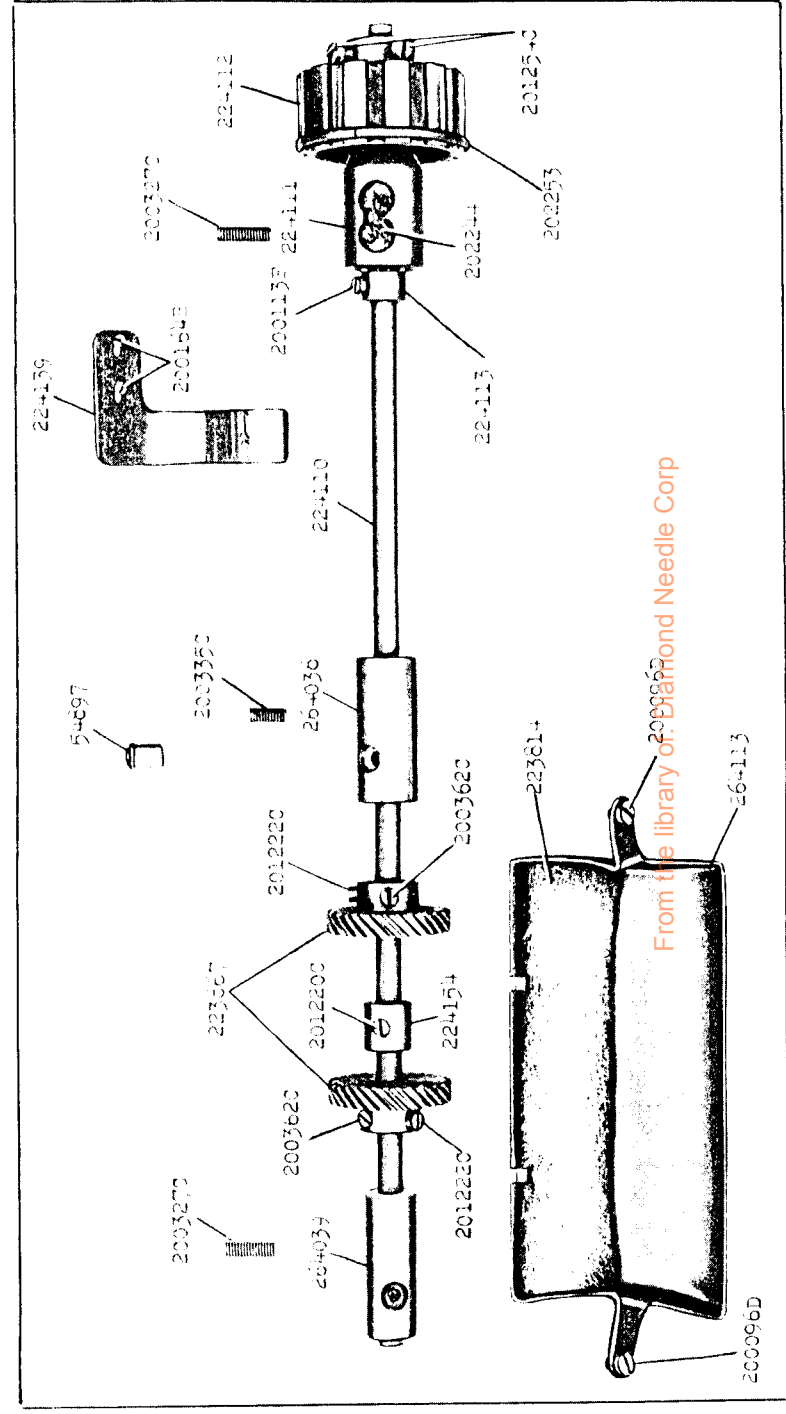


From the library of: Diamond Needle Corp

16052 - 1/3

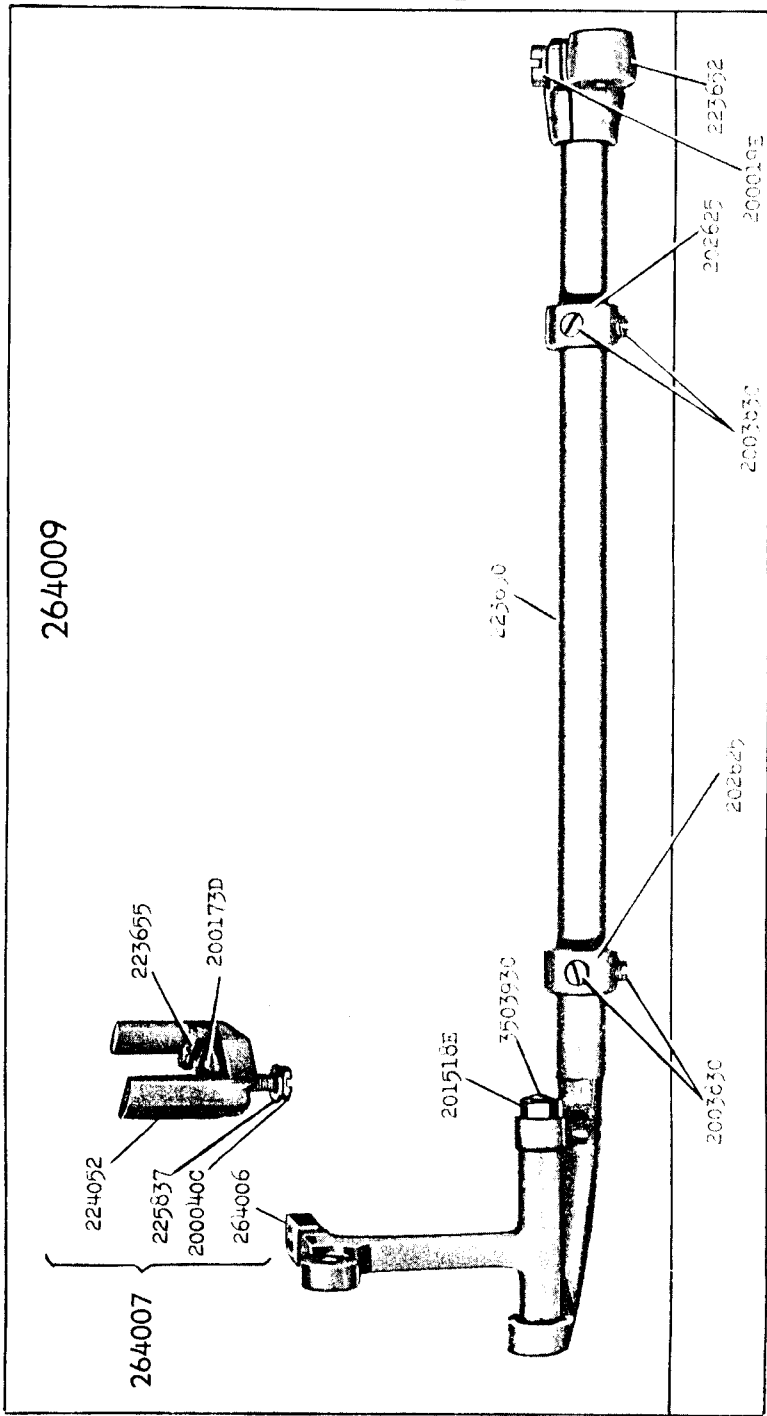


16053 - 3/8

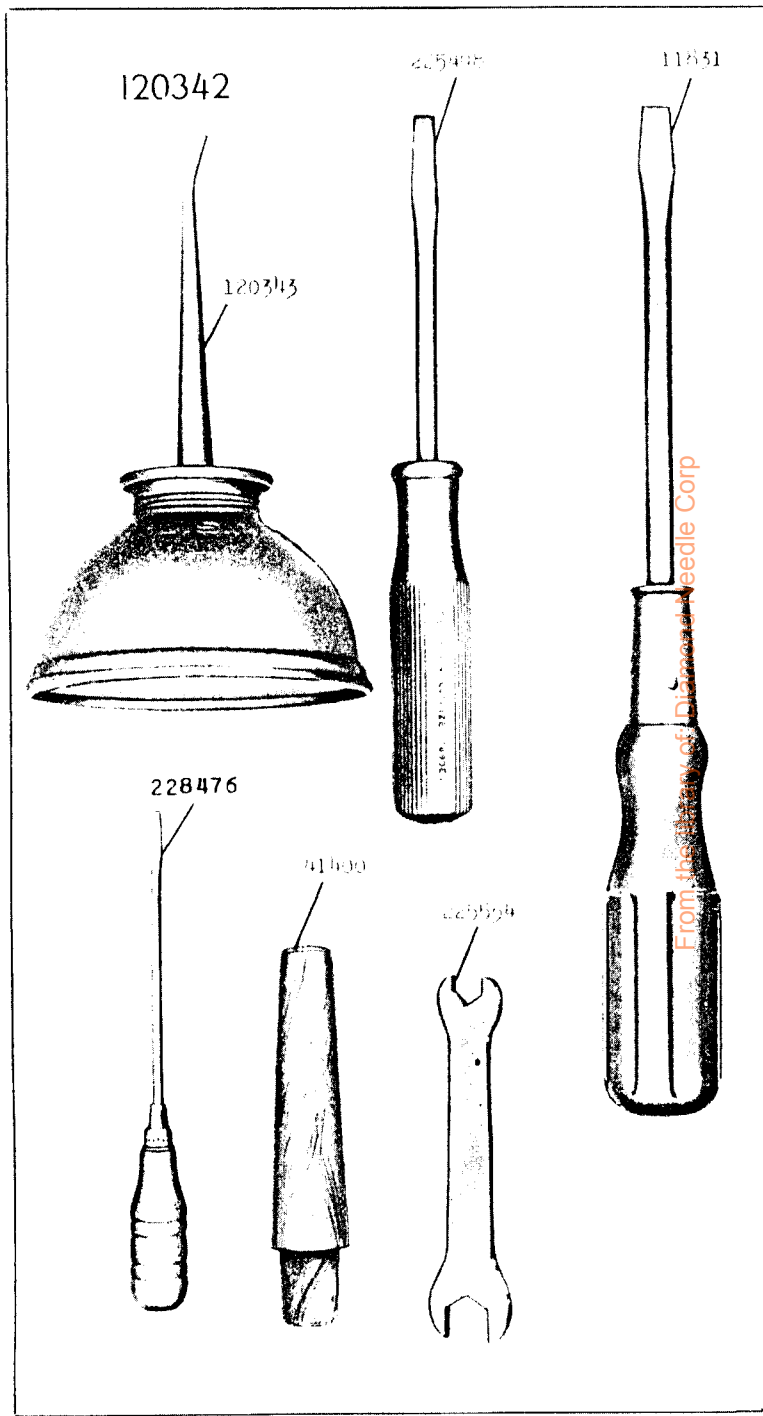


From the library of: **Bigliffond Needle Corp**

16054 - 1/2

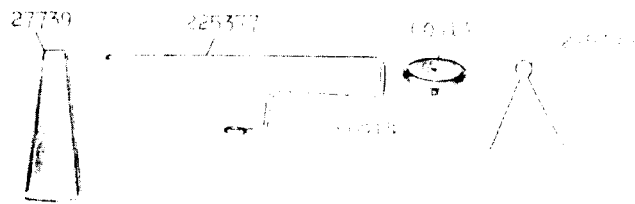
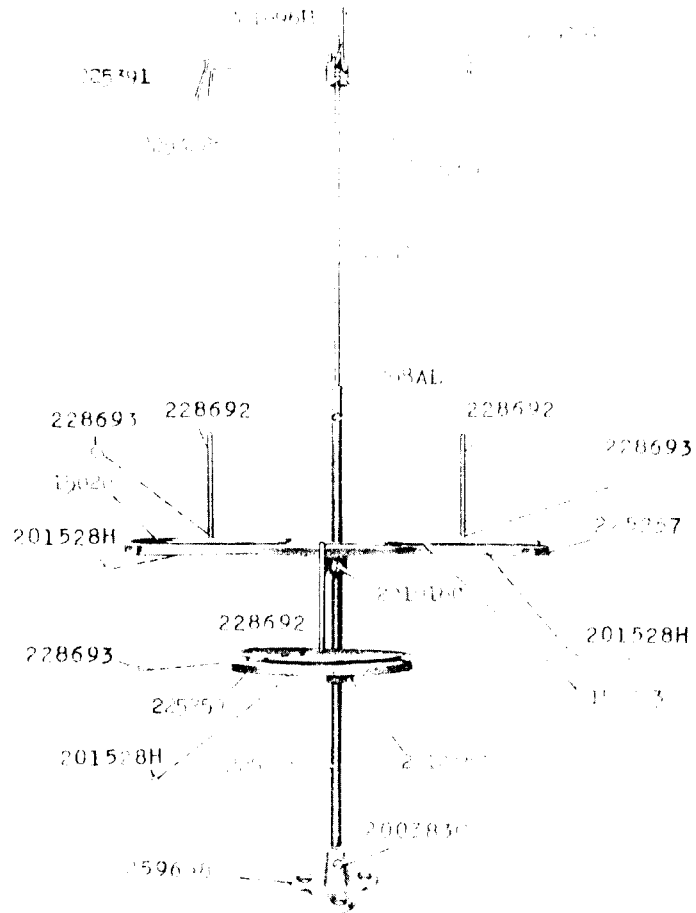


16063 - 1/2



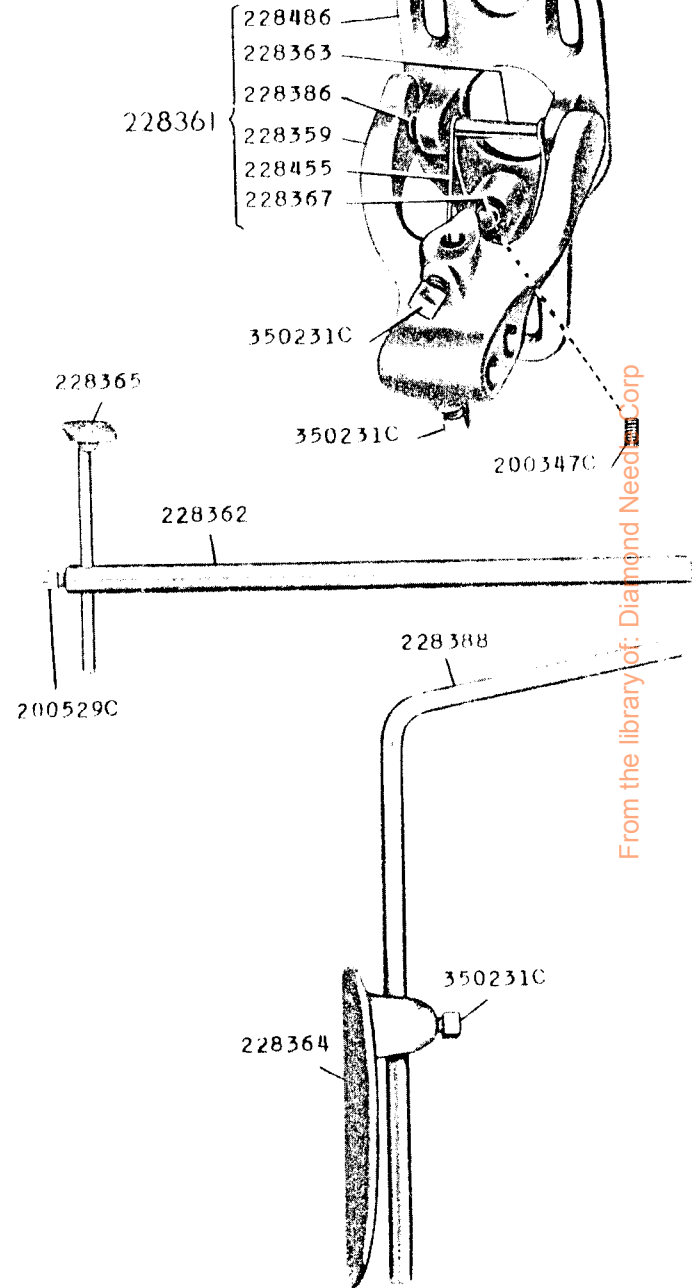
16257 - 1/6

259143



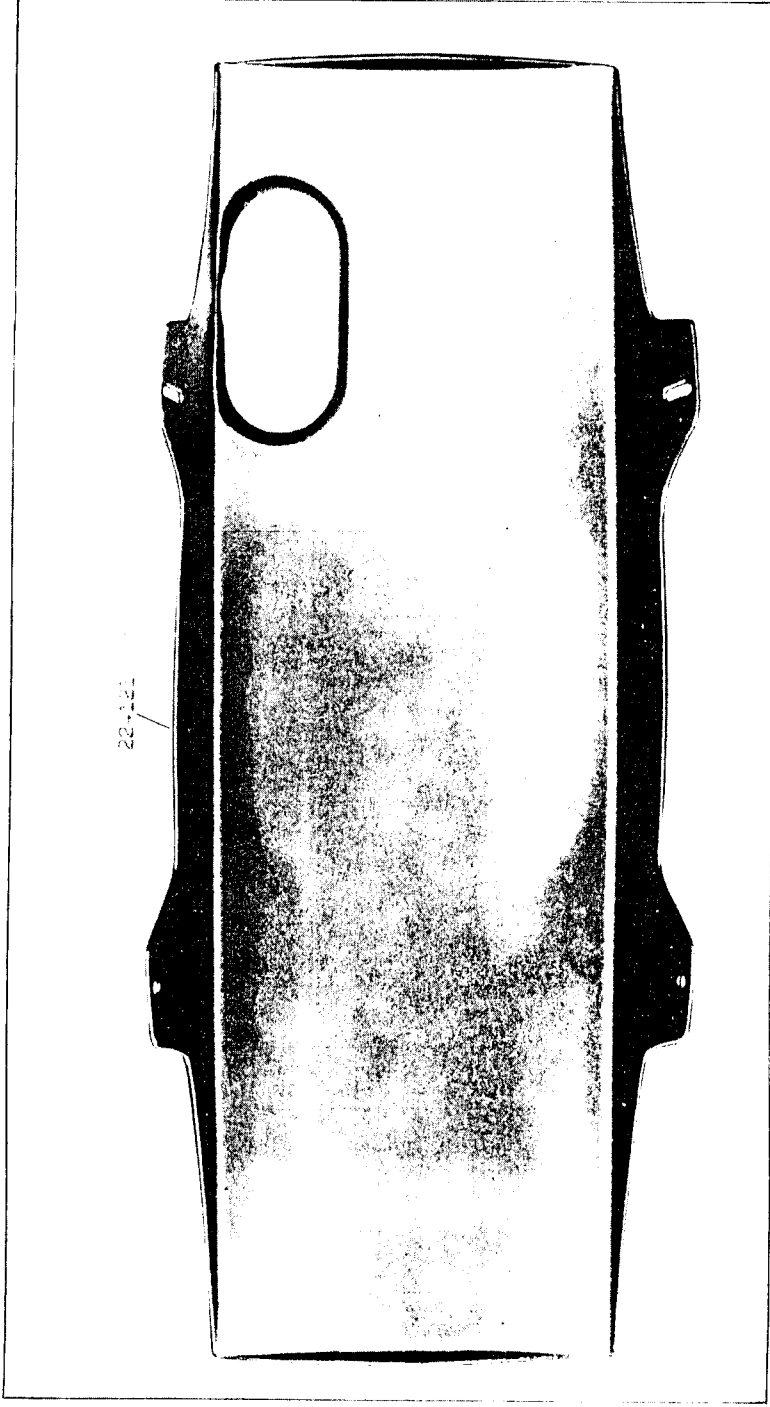
16643 - 3/8

228368

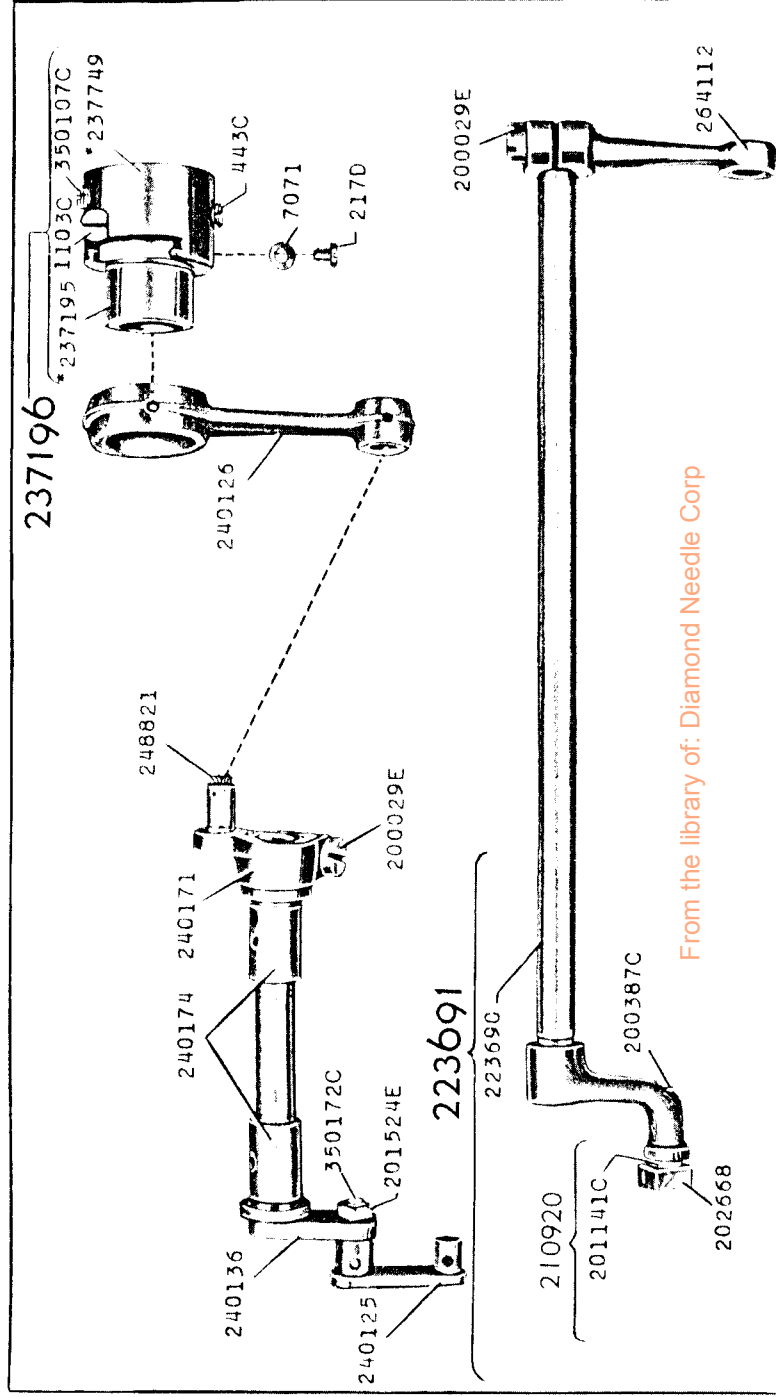


From the library of: Diamond Need Corp

16644 - 1/3



17258-1/2



18312 - 3/8

